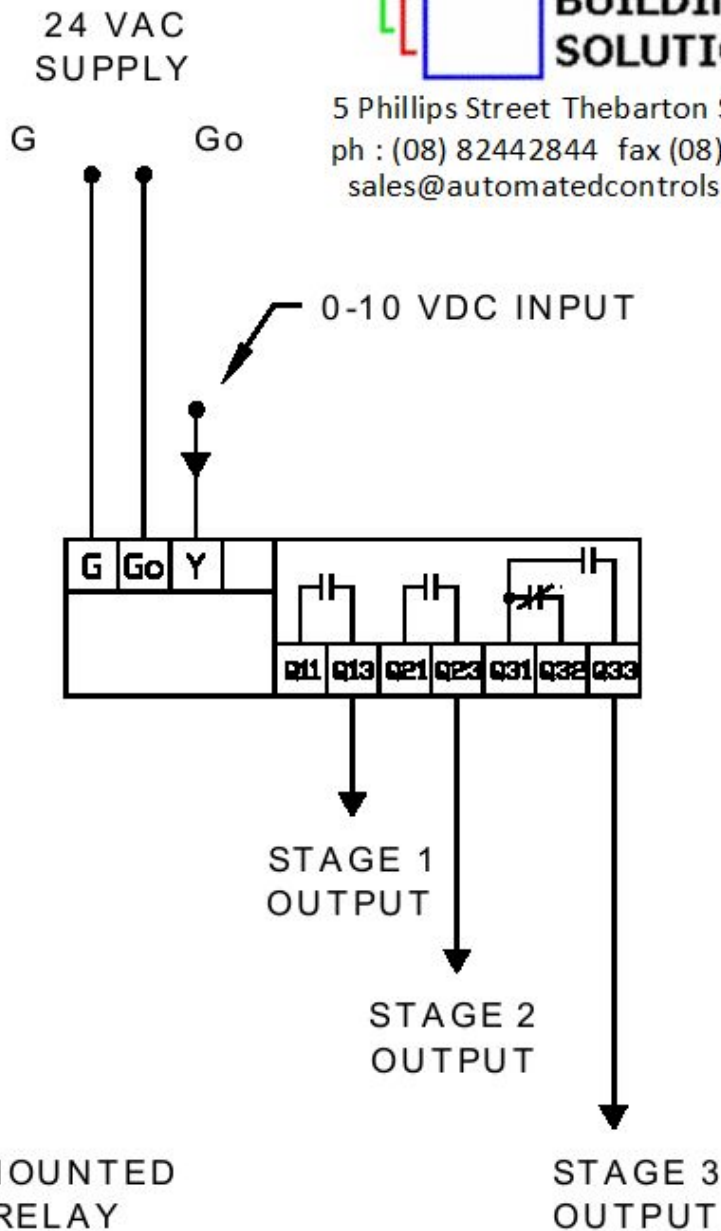


**AUTOMATED
BUILDING
SOLUTIONS**

5 Phillips Street Thebarton SA 5031
ph : (08) 82442844 fax (08) 82442955
sales@automatedcontrols.com.au



RRM ROOM MOUNTED
STAGING RELAY

NOTES

THE BLUE POTENTIOMETERS ON THE BOTTOM LEFT HAND CORNER OF THE CIRCUIT BOARD ARE THE RELAY CUT IN ADJUSTMENTS THEY ARE GRADUATED FROM 0 TO 10 VDC CLOCKWISE

RELAY SWITCHING CAPACITY 5 AMPS AT 240 VOLT RESISTIVE 2 AMP INDUCTIVE